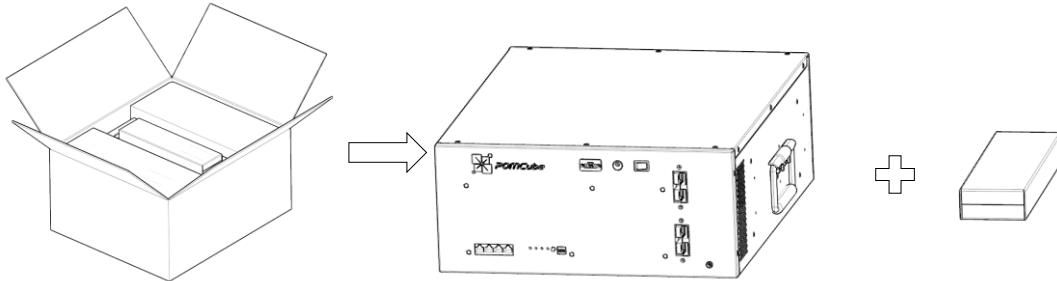
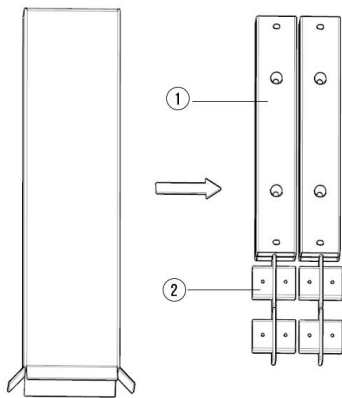


# Battery Installation Instructions

1. Unbox, take out the battery and accessories.



2. Take out the parts (holders, connectors, etc.) and place them in order:



1. Holder \* 4pcs

2. Connector \* 4pcs

3. Square inner plug  
- 20x40 \* 4pcs



4. Square inner plug  
- 15x30 \* 4pcs



5. Screw hole plug \* 8pcs



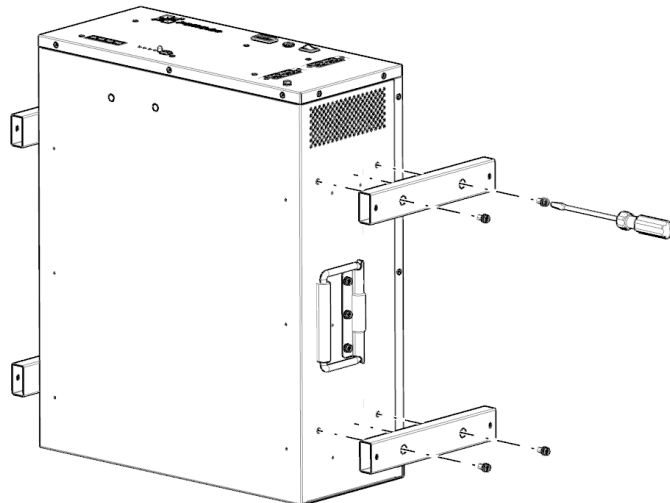
6. Screw TM4X8 \* 4pcs



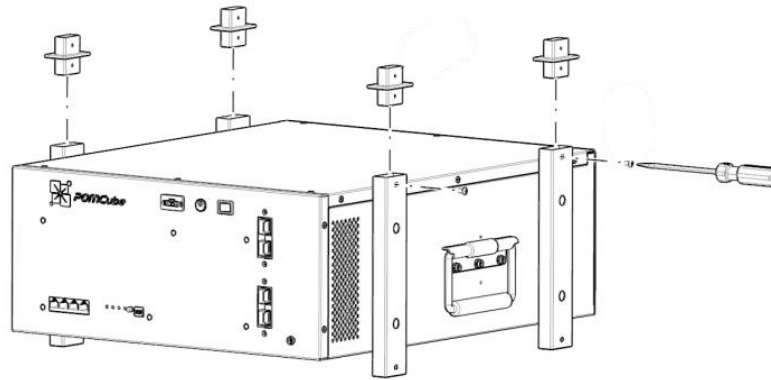
7. Screw PM5X12 \* 8pcs



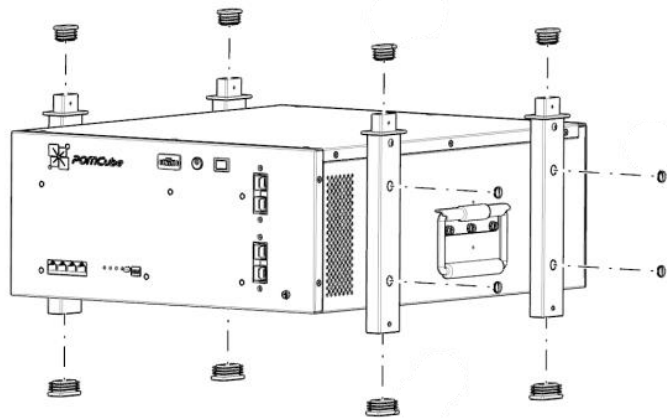
3. Place one battery vertically, screw the 4 holders to the battery with PM5\*12 screws.



4. Screw the 4 connectors to the holders with TM4\*8 screws.



5. Install the square inner plugs and screw hole plugs accordingly.



6. If you need to stack-up batteries, no square inner plugs are needed for the upper battery. Screw the holders into connectors. Batteries can be stacked up to three layers.

