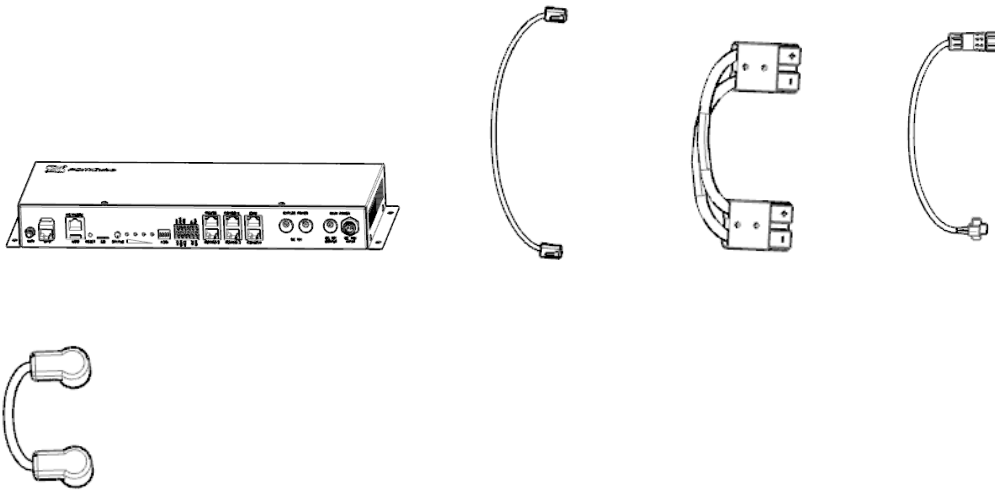
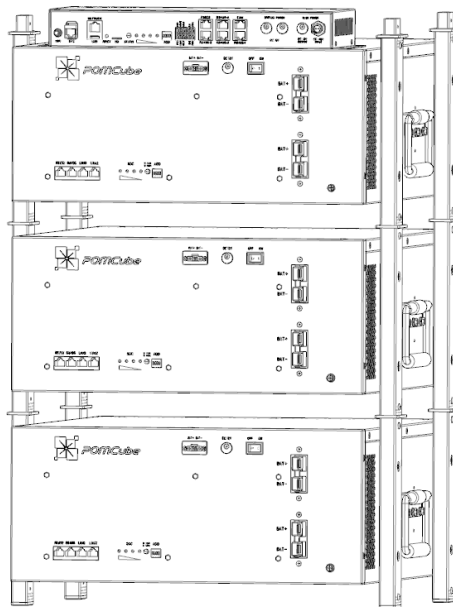


Installation of Battery & EMS

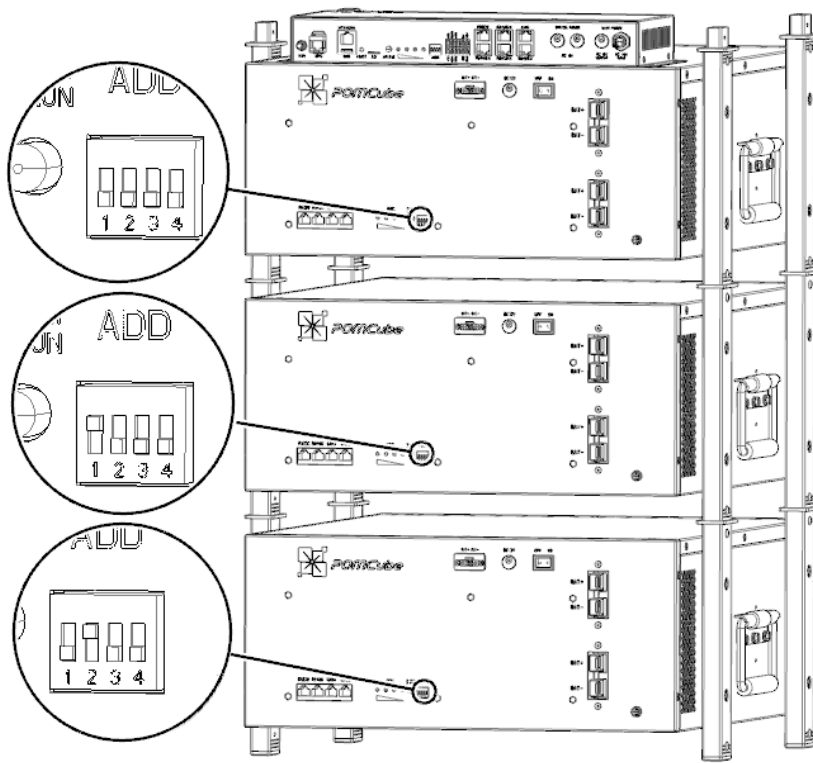
- A: Power Line of Battery
- B: Communication Line
- C1/C2: EMS Power Lines



1. Install the battery modules following battery installation guidance



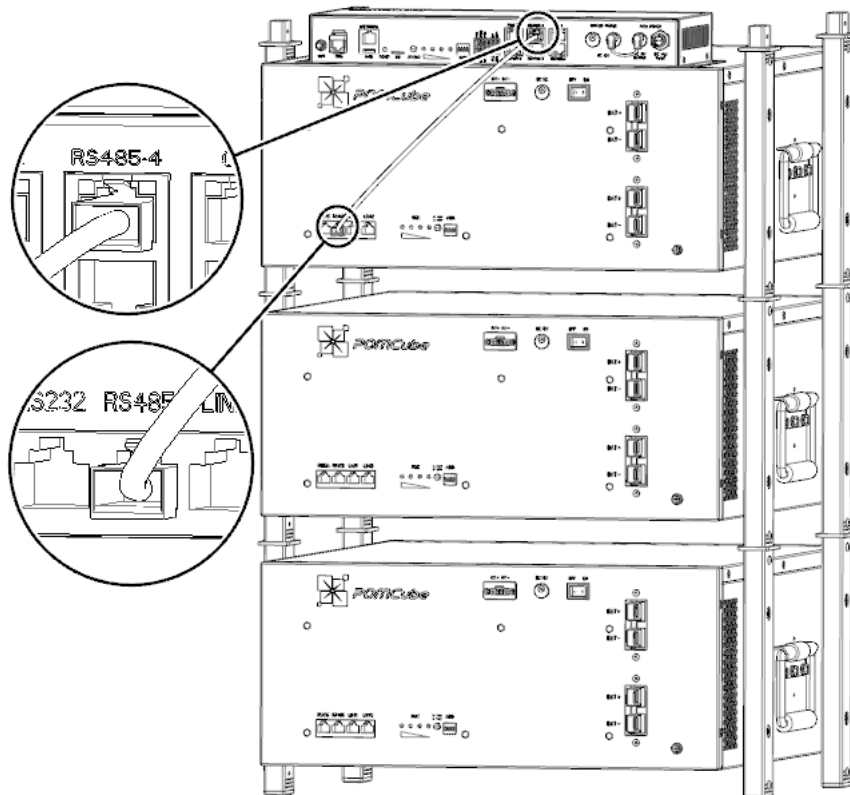
2. Switch the battery dials to positions (0000, 0001, 0002) as follows:



3. Wiring communication line

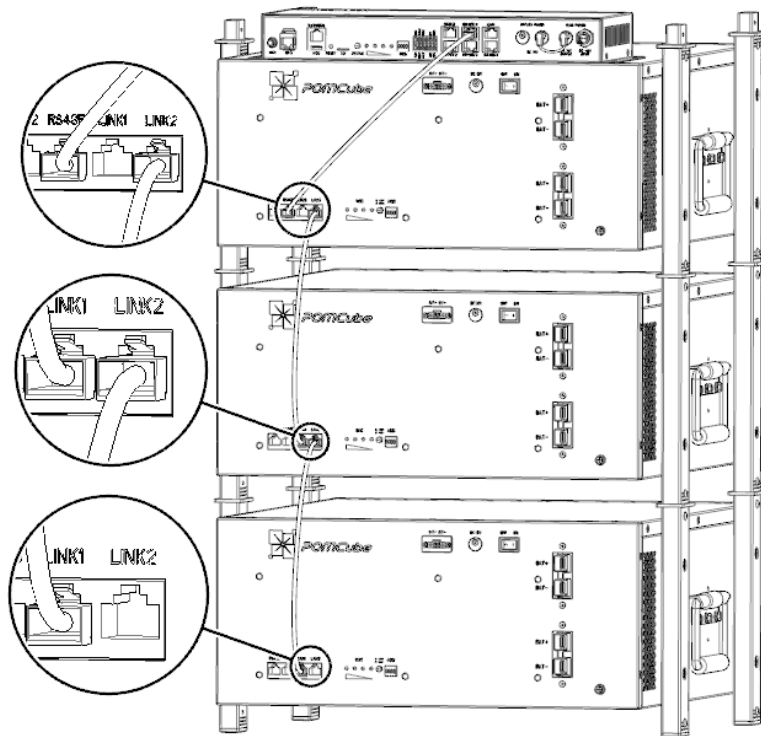
EMS and battery:

Connect LINK1 of #0000 battery to RS485-4 of EMS using Line B



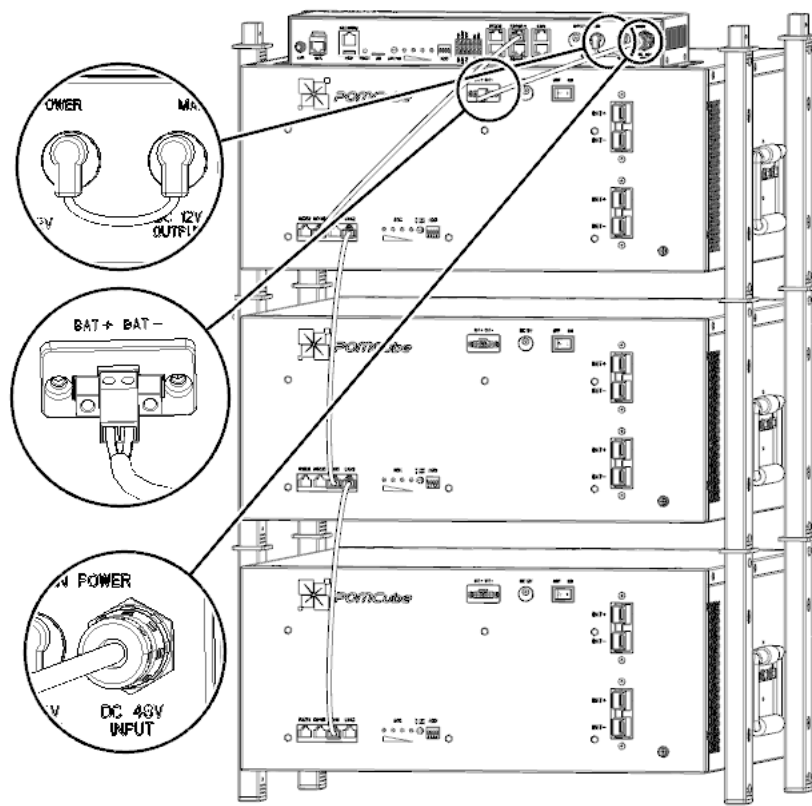
Wiring battery and battery:

Connect LINK2 of battery #0000 to LINK1 of battery #0001, LINK2 of battery #0001 to LINK1 of battery #0002. Wiring as follows:



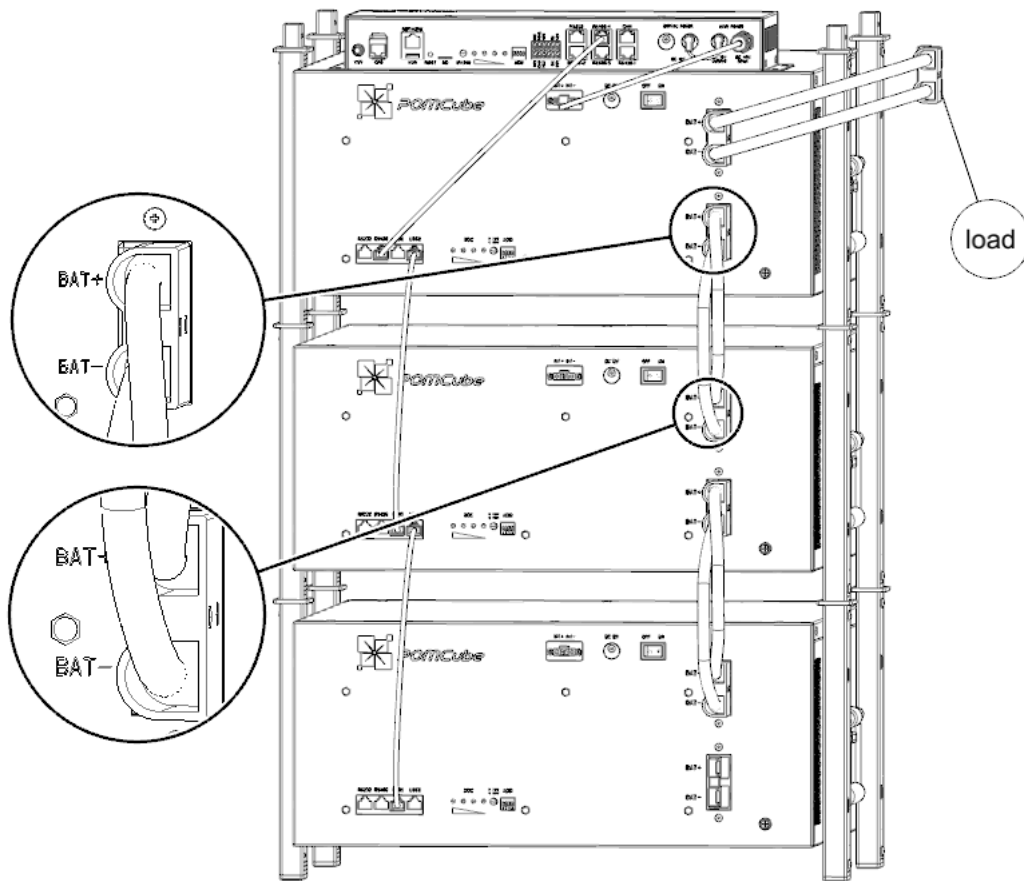
4. Wiring power line of EMS

Connect cable C with quick coupler to DC 48V INPUT interface of EMS; the red port on the other side to BAT+ of battery, and black port to BAT- of battery. Wiring as follows:

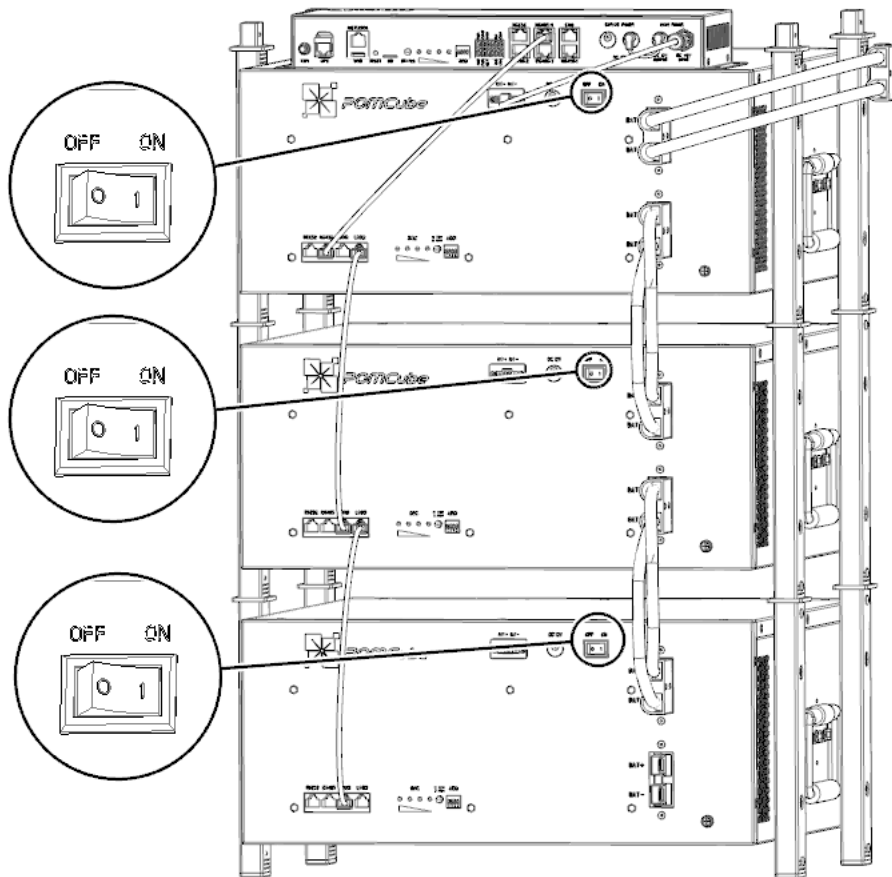


5. Wiring battery power line

Connect cables A with quick couplers to power output interfaces of battery in sequence, wiring as follows:



6. Once all wiring work is completed, switch on the rocker switches of batteries in sequence.
Wiring as follows:



7. Download APP: <https://portalcn.pomcube.net/app/>

8. Download user manual: <https://portalcn.pomcube.net/app/>